

TIJ Godavari and Narmada Thermal Inkjet Printer

Reliable, zero-maintenance and breakdown-free. The ideal solution for high-resolution printing.



TIJ Godavari

Virtually Maintenance-Free
with Near 100% Uptime

Touchscreen with visual interface
for ease of use

Built-in product sensor for easy
installation and reliability



TIJ Narmada

Call for Demo

+91 9892 330 115 / 022 2859 9065



Scan the code to find
more about TIJ Printer

Follow us -

[f /controlprintindia](#)

[in /control-print-ltd](#)

[t /controlprintltd](#)

[controlprint.com](#)

Our Most Cost-Effective Printer

Cartridge-based technology keeps costs under control and within budget

The Control Print TIJ is a simple, maintenance free printer based on the Thermal Inkjet Technology suitable for a variety of basic & advanced coding applications such as Date, Price, Batch Linear & Datamatrix Barcodes, Logos and Graphics across the Pharmaceutical, Food, Packaged Goods, and Personal Care Industry.

The TIJ printer can be easily integrated across a wide gamut of production lines and is suitable for printing onto all porous materials and some non-porous materials.



Uptime & Maintenance

- ☑ Cartridge replacement leads to the de facto replacement of the printhead and ink delivery system
- ☑ Since the time between replacement of cartridges is short, in effect the printer is always using a new printhead and ink delivery system leading to the highest performance levels
- ☑ Minimal downtime, in case of any issues cartridge can be replaced in a few seconds
- ☑ No printhead cleaning, filter replacements or any other maintenance requirements
- ☑ No startup / shutdown or long shutdown procedures to follow



Simple, intuitive operation

- ☑ User friendly, 7" touchscreen color display with WYSIWYG graphical interface
- ☑ Automatic Error Diagnostics for cautions and easy troubleshooting
- ☑ User Profile Manager with multiple levels of access
- ☑ Minimal operator training and specialized support required for operation & maintenance



Excellent print quality and capabilities

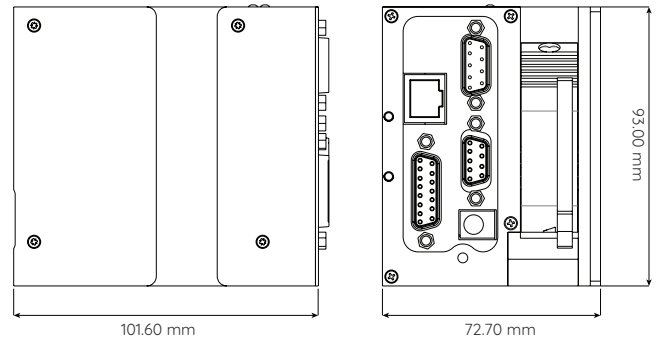
- ☑ High quality 600 dpi (dots per inch) maximum print resolution
- ☑ 12.7mm (½" version) and 25.4mm (1" version) print swathe per print head with 300 independent nozzles. 2 print heads (1" version) gives total print height of upto 50 mm
- ☑ High speeds upto 60 meters per minute at high resolutions
- ☑ Ink Range - Aqueous and Solvent
- ☑ Ink Colors - Black, Red and Blue available in Aqueous and Solvent



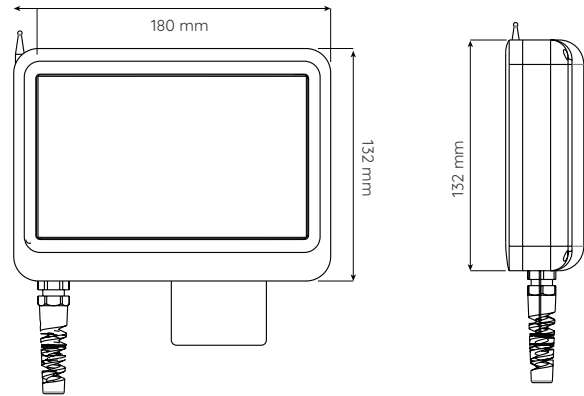
Flexibility, Communication & Integration

- ☑ Easy to setup and integrate onto almost any production line
- ☑ Compact footprint and small printhead size
- ☑ LAN / USB / Various I/O function / Smart card & RS 485 port for communication
- ☑ Hypertext, logos, backup & restore via USB
- ☑ Internal Product Sensor
- ☑ Max. 8 head can be controlled through one controller

Printhead



7" Touchscreen Display



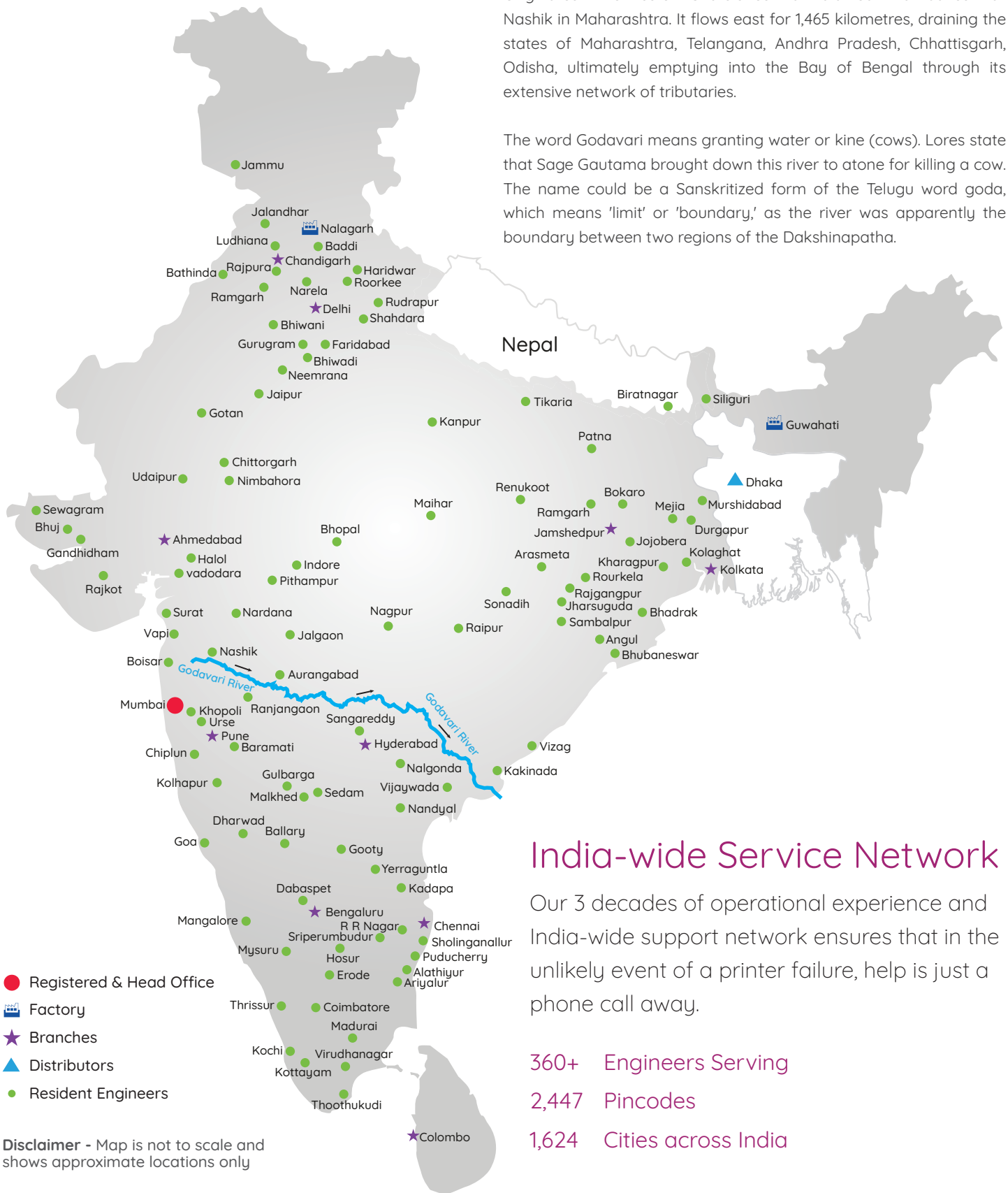
Technical Specification

CONTROLLER	GODAVARI 45ML	NARMADA HALF INCH 230 ML	NARMADA ONE INCH 230 ML
Standard Finish	Anodized Aluminium Black & Blue	Anodized Aluminium Black & Blue	Anodized Aluminium Black & Blue
Dimension	132 mm X 180 mm X 45 mm	132 mm X 180 mm X 45 mm	132 mm X 180 mm X 45 mm
Display	7" TFT LCD	7" TFT LCD	7" TFT LCD
Weight	1kg (2.20 lbs)	1kg (2.20 lbs)	1kg (2.20 lbs)
Terminal Degree of Protection	IP 64	IP 64	IP 64
PRINTER			
Standard Finish	Aluminium Black & Blue Anodized	Aluminium Black & Blue Anodized	Aluminium Black & Blue Anodized
Dimension	102 mm X 93 mm X 69 mm	102 mm X 93 mm X 69 mm	102 mm X 93 mm X 69 mm
Weight	670 gram (1.48 lbs)	670 gram (1.48 lbs)	670 gram (1.48 lbs)
Electrical Connection	92-260 VAC (50-60 HZ)	92-260 VAC (50-60 HZ)	92-260 VAC (50-60 HZ)
Relative Air Humidity	Up to 90% Non Condensing	Up to 90% Non Condensing	Up to 90% Non Condensing
Compressed Air Required	No	No	No
Temperature Range	0-50° C	0-50° C	0-50° C
HARDWARE			
Add on High Regulation Print Heads	Max 8	Max 8	Max 8
Spring Loaded Carton Follower	Optional	Optional	Optional
Top Coding Bracket & Floor Stand	01	01	01
External Product Sensor	Optional	Optional	Optional
External Encoder	Optional	Optional	Optional
Product Detector	Internal / External	Internal / External	Internal / External
Communication Link	RS 485 / USB / LAN / Various I/O	RS 485 / USB / LAN / Various I/O	RS 485 / USB / LAN / Various I/O
	Function / Smart Card	Function / Smart Card	Function / Smart Card
PRINTING CAPABILITY			
Character Set	Full Alphanumeric and Special Symbols	Full Alphanumeric and Special Symbols	Full Alphanumeric and Special Symbols
Standard Font	Dot Matrix	Dot Matrix	Dot Matrix
Logos	Max 26	Max 26	Max 26
Line Speeds	0-60 meter/min at high resolution	0-60 meter/min at high resolution	0-60 meter/min at high resolution
External Message Selection	Yes	Yes	Yes
Message Storage	Up to 250 Message	Up to 250 Message	Up to 250 Message
Printhead to Product Distance	Up to ¼" (6.35 mm)	Up to ¼" (6.35 mm)	Up to ¼" (6.35 mm)
Character Height	1.5 mm to 12.5 mm	1.5 mm to 12.5 mm	1.5 mm to 12.5 mm
(Mix Matrix Font possible)			

The Godavari River

The Godavari is India's second longest river after the Ganga. Originates in the Western Ghats of central India near Triambakeswar Nashik in Maharashtra. It flows east for 1,465 kilometres, draining the states of Maharashtra, Telangana, Andhra Pradesh, Chhattisgarh, Odisha, ultimately emptying into the Bay of Bengal through its extensive network of tributaries.

The word Godavari means granting water or kine (cows). Lore states that Sage Gautama brought down this river to atone for killing a cow. The name could be a Sanskritized form of the Telugu word goda, which means 'limit' or 'boundary,' as the river was apparently the boundary between two regions of the Dakshinapatha.



India-wide Service Network

Our 3 decades of operational experience and India-wide support network ensures that in the unlikely event of a printer failure, help is just a phone call away.

360+ Engineers Serving

2,447 Pincodes

1,624 Cities across India



C-106, Hind Saurashtra Industrial Estate, Andheri-Kurla Road, Marol Naka, Andheri (East), Mumbai 400 059
 +91 22 2859 9065 / 6693 8900 | marketing@controlprint.com | www.controlprint.com

AHMEDABAD | BENGALURU | CHANDIGARH | CHENNAI | COLOMBO | DELHI | GUWAHATI | HYDERABAD
 JAMSHEDPUR | KERALA | KOLKATA | MUMBAI | NEPAL | PUNE

Control Print's policy is one of continued product improvement. We reserve the right to alter design and/or specifications without notice. | © 2020 Control Print Limited | All rights reserved.